

Guiding flap assembly

Maira ID code:A401919V01

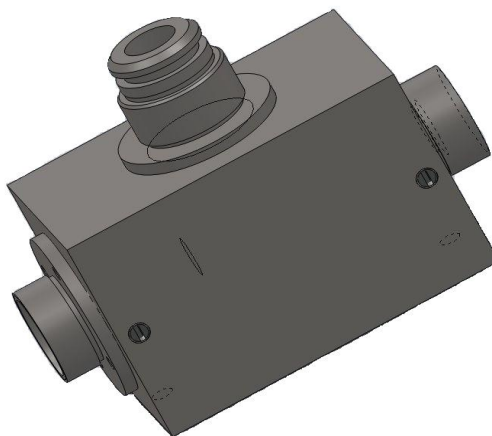
Old ID code: I3-391V00

Technical data:

Work pressure: maximum 350 bar

Work fluid: ET10 oil

Work temperature: - 35 °C ... +55 °C



Maira Montaj SRL

Str. Stirbei Voda, Nr. 166, Bl. C 20, Et. 1, Ap. 3, Sect. 1, Bucuresti, RC J 40/3784/1997; RO 6661834 ; RO87INGB5568999900592490

P.L. : Bucuresti, Str. Inovatorilor,Nr.38A ; Craiova , Parc Industrial -Est , Strada Aviatorilor , nr 10A

Atestat: ANRE nr. 10994/11.05.2015; CNCAN -cls.4 nr. 17-015/21.07.2017; CNCAN-cls.4, nr.17-016/21.07.2017; ISCIR nr. B/CR4/K,L/14/1787/1/21.02.2014;

Certificat : SR EN ISO 9001/2015 SRAC Nr.: RO-7660 ; SR EN ISO 14001/2015,SRAC Nr.:RO-2954

Tel.: (+4) 0214137690, (+4) 0214137691; Fax : (+4) 0216372123, (+4) 0214139159; email : office@maira.ro, comercial@maira.ro

http: www.maira.ro, www.miraelectric.co.uk