

Motopump group assembly

Maira ID code:M401751V01

Old ID code: A2-1917V00

Technical data:

Work fluid: ET 10 oil

Environment temperature: -40°C...+80 °C

Fluid worktemperature: -25°C...+80°C

Pump type: radial pistons, constant flow

Hydraulic connections: ISO 228/1(BSP) ; 1/2'-in, 1/4' -out

Geometric liquid volume: 1,19 cm³/rot.

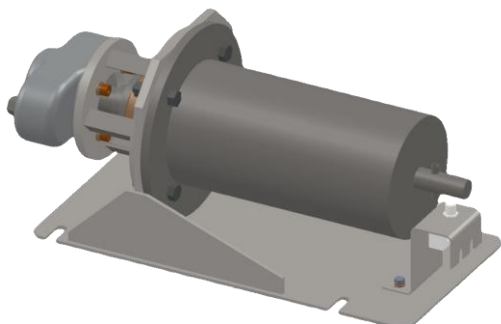
Flow at normal speed : 1.6 l/min (1450 rot/min)

Work pressure : 450 bar

Motor power : 1.5 kW

Normal speed rate : 1450 rot/min

Pistons diameter : 12 mm



Maira Montaj SRL

Str. Stirbei Voda, Nr. 166, Bl. C 20, Et. 1, Ap. 3, Sect. 1, Bucuresti, RC J 40/3784/1997; RO 6661834 ; RO87INGB5568999900592490

P.L. : Bucuresti, Str. Inovatorilor,Nr.38A ; Craiova , Parc Industrial -Est , Strada Aviatorilor , nr 10A

Atestat: ANRE nr. 10994/11.05.2015; CNCAN -cls.4 nr. 17-015/21.07.2017; CNCAN-cls.4, nr.17-016/21.07.2017; ISCIR nr. B/CR4/K,L/14/1787/1/21.02.2014;

Certificat : SR EN ISO 9001/2015 SRAC Nr.: RO-7660 ; SR EN ISO 14001/2015,SRAC Nr.:RO-2954

Tel.: (+4) 0214137690, (+4) 0214137691; Fax : (+4) 0216372123, (+4) 0214139159; email : office@maira.ro, comercial@maira.ro

http: www.maira.ro, www.mairaelectric.co.uk