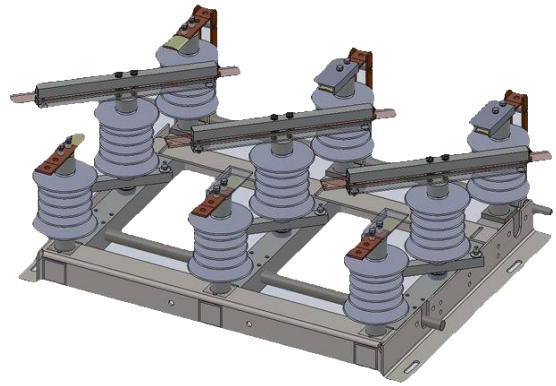
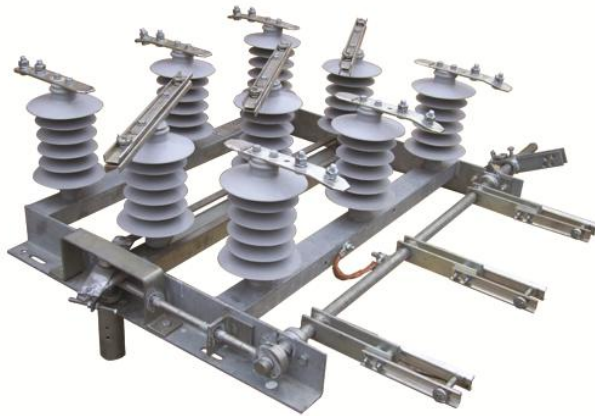


HORIZONTAL ROTARY BREAK DISCONNECTOR WITH EARTH SWITCHES *Maira* ROTP 24 kV/1250/630A



Standards: Enel DY 598

ENVIRONMENT CONDITIONS

maximum ambient temperature	+ 55 °C
minimum ambient temperature	- 55 °C
maximum humidity	100 %
altitude above sea level	1000 m
dynamic category	N – SR HD 478.2.1.S1
use category	3 – SR 1054-93

TECHNICAL DATA

nominal system voltage	24 kV
current rate	630/400 A
rated short time withstand current	16 kA _{ef}
rated peak withstand current	40 kA _{max}
weight	60 kg
dimensions	1000/750/450 mm
mechanical endurance	1000 operating cycles

INSULATORS TECHNICAL DATA

Leakage distance	747 mm
Dry arc discharge distance	260 mm
Highest voltage of system	24 kV
Lightning impulse withstanding voltage	200 kV
Withstanding voltage with frequency power in wet condition	90 kV

Maira Montaj SRL